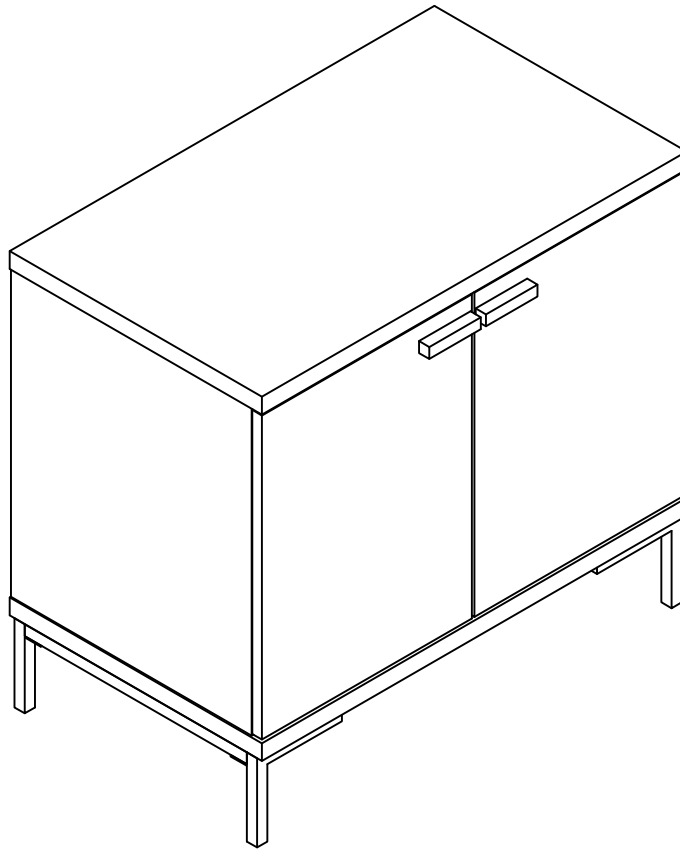


ASSEMBLY INSTRUCTIONS /  
INSTRUCTIONS D'ASSEMBLAGE

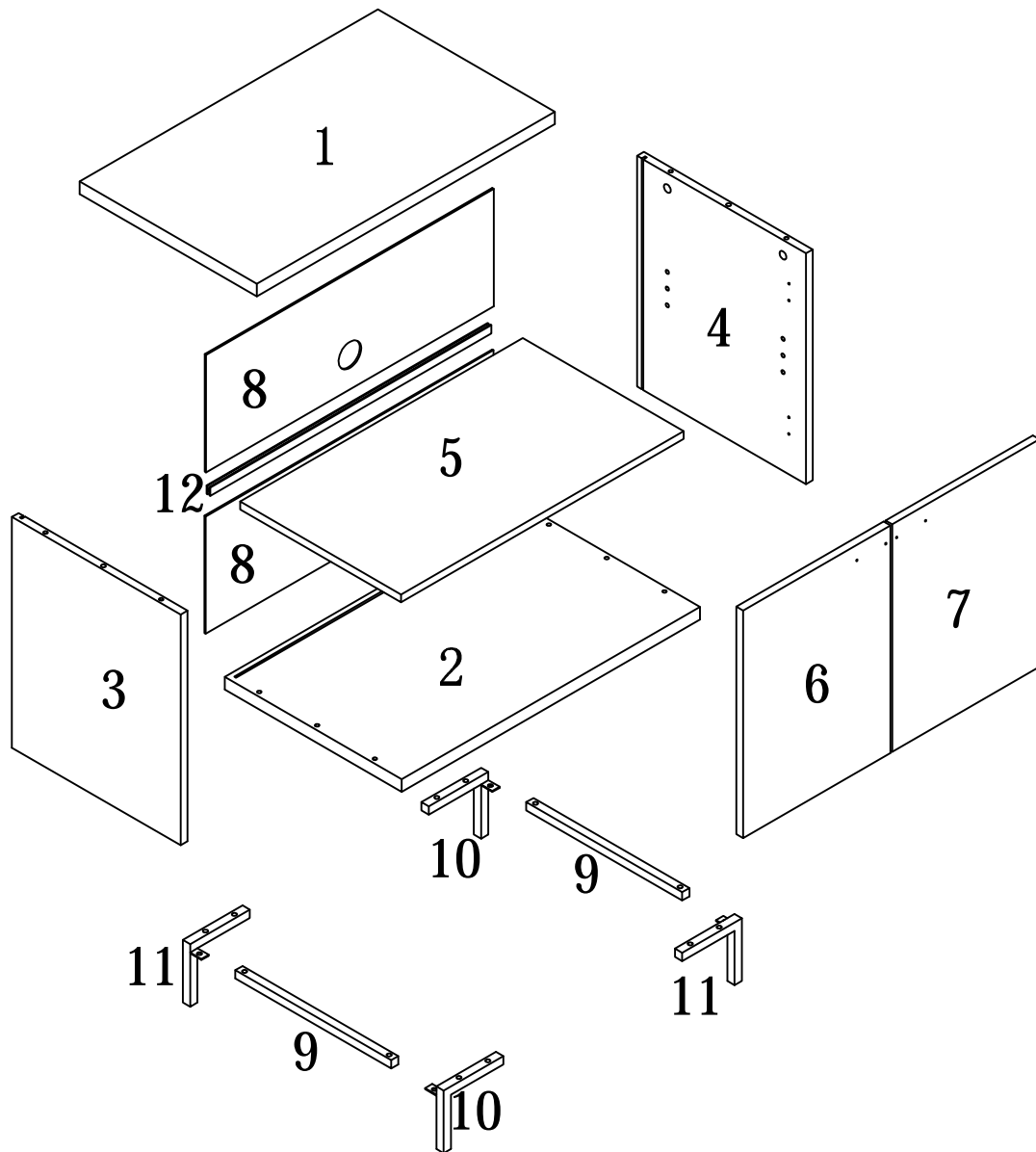
---

ITEM NO/NO ARTICLE: SON26TVS/253389



# PARTS IDENTIFICATIONS / IDENTIFICATION DES PIECES

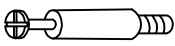


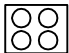



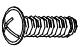

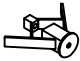

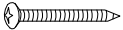
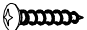




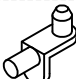

ITEM NO/NO ARTICLE: SON26TVS/253389



(1)	1pc/pce	(8)	2pcs/pces
(2)	1pc/pce	(9)	2pcs/pces
(3)	1pc/pce	(10)	2pcs/pces
(4)	1pc/pce	(11)	2pcs/pces
(5)	1pc/pce	(12)	1pc/pce
(6)	1pc/pce		
(7)	1pc/pce		

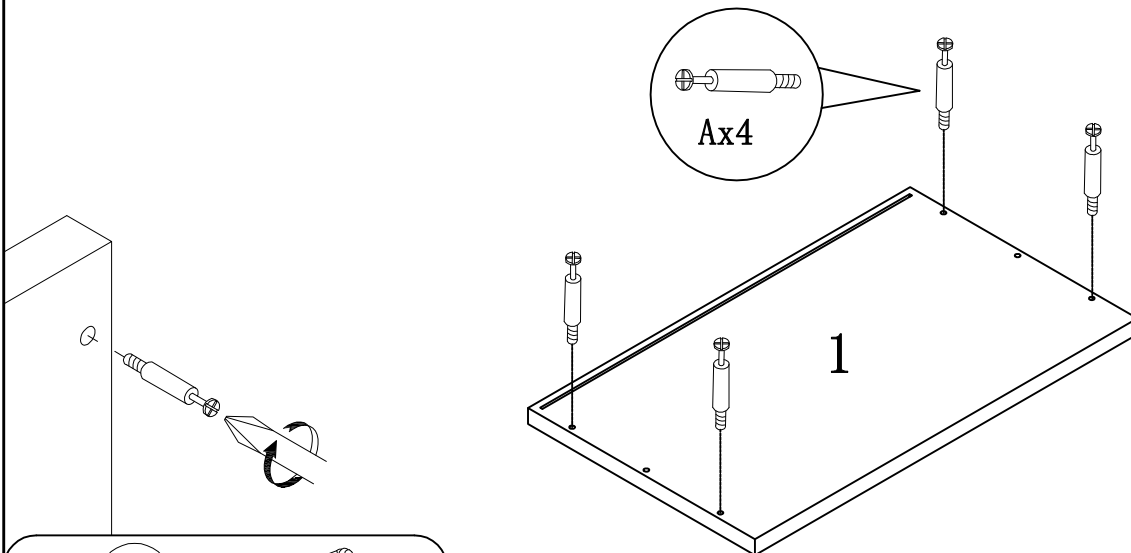
HARDWARE IDENTIFICATIONS/  
IDENTIFICATION DU KIT D'ASSEMBLAGE

ITEM NO/NO ARTICLE: SON26TVS/253389

A		L29	4pcs/pces
B		Φ 15	4pcs/pces
C		Φ 6x30	4pcs/pces
D		Φ 22	4pcs/pces
E		Φ 4x35	4pcs/pces
F		Φ 6x30	12pcs/pces
G		96#	2pcs/pces
H		Φ 4x20	4pcs/pces
I		ø4.5 × ø1 × 254	1pc/pce
J		ø14 × 36	1pc/pce
K		12x12x1	2pcs/pces
L		Φ 5x40	1pc/pce
M		Φ 4x25	1pc/pce
N		Φ 3x16	10pcs/pces
P			8pcs/pces
Q		Φ 4x16	24pcs/pces
R			4pcs/pces
S		Φ 5x15	4pcs/pces
T		45x12x1	1pcs/pces

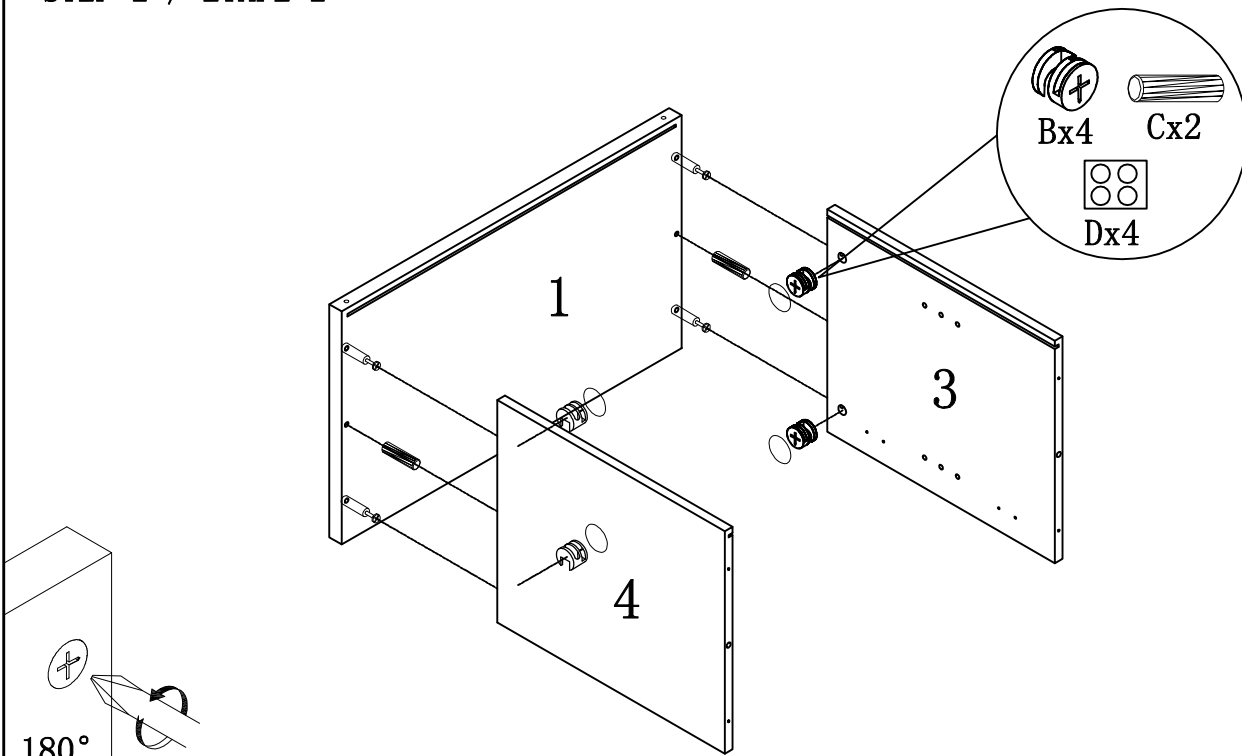
# ITEM NO/NO ARTICLE: SON26TVS/253389

## STEP 1 / ETAPE 1



TOOLS REQUIRED (NOT INCLUDED)  
OUTILS REQUIS (NON COMPRIS)

## STEP 2 / ETAPE 2



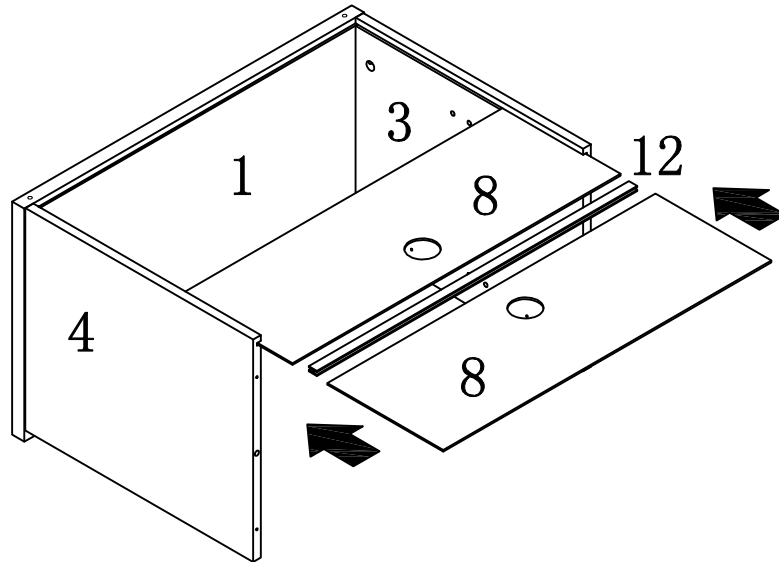
180°



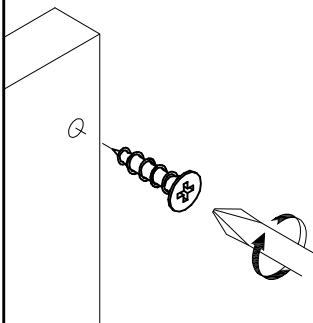
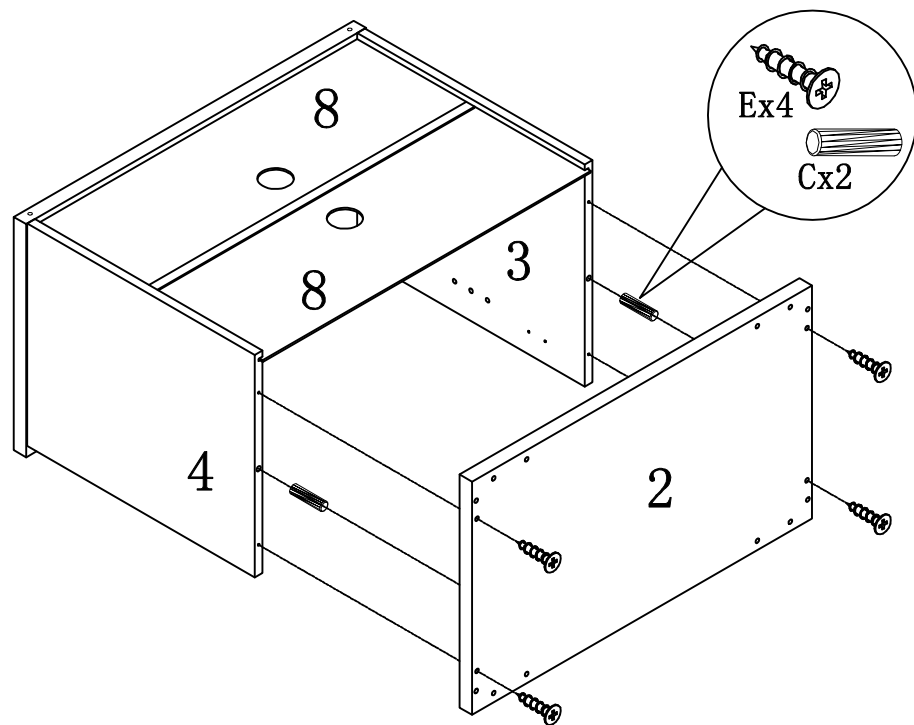
TOOLS REQUIRED (NOT INCLUDED)  
OUTILS REQUIS (NON COMPRIS)


# ITEM NO/NO ARTICLE: SON26TVS/253389

## STEP 3 / ETAPE 3



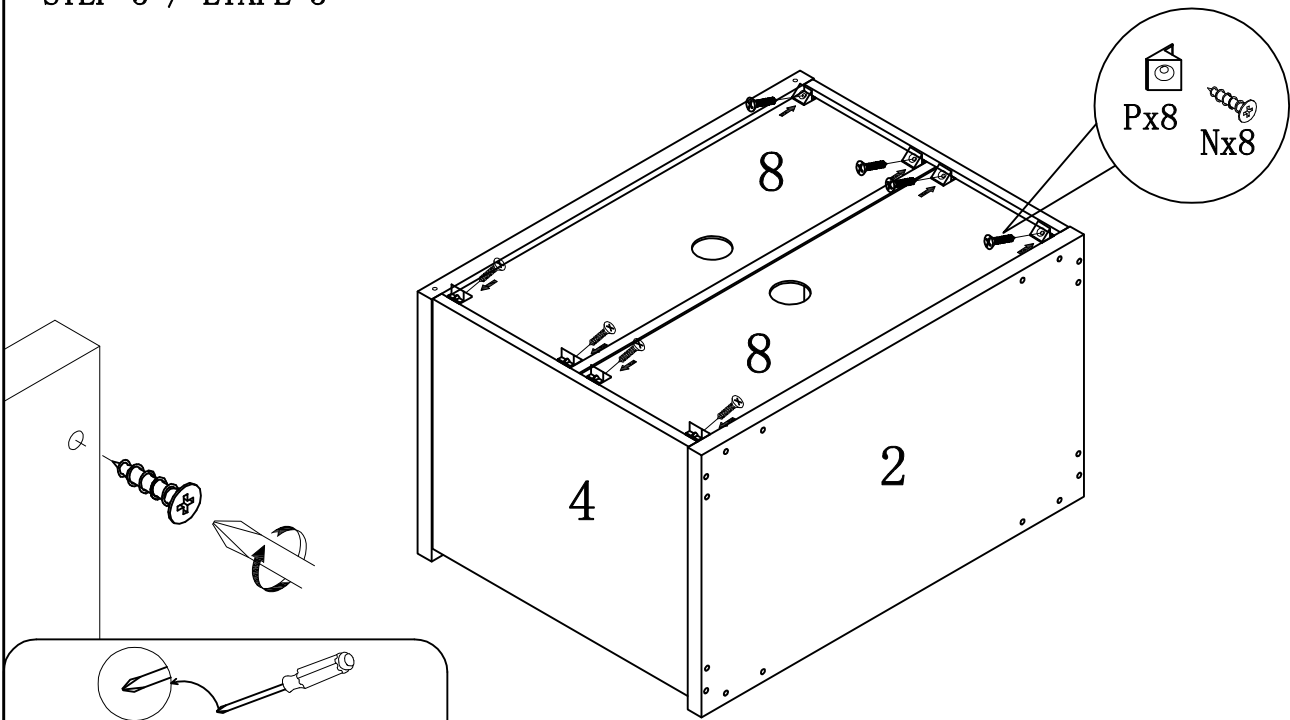
## STEP 4 / ETAPE 4




  
TOOLS REQUIRED (NOT INCLUDED)  
OUTILS REQUIS (NON COMPRIS)

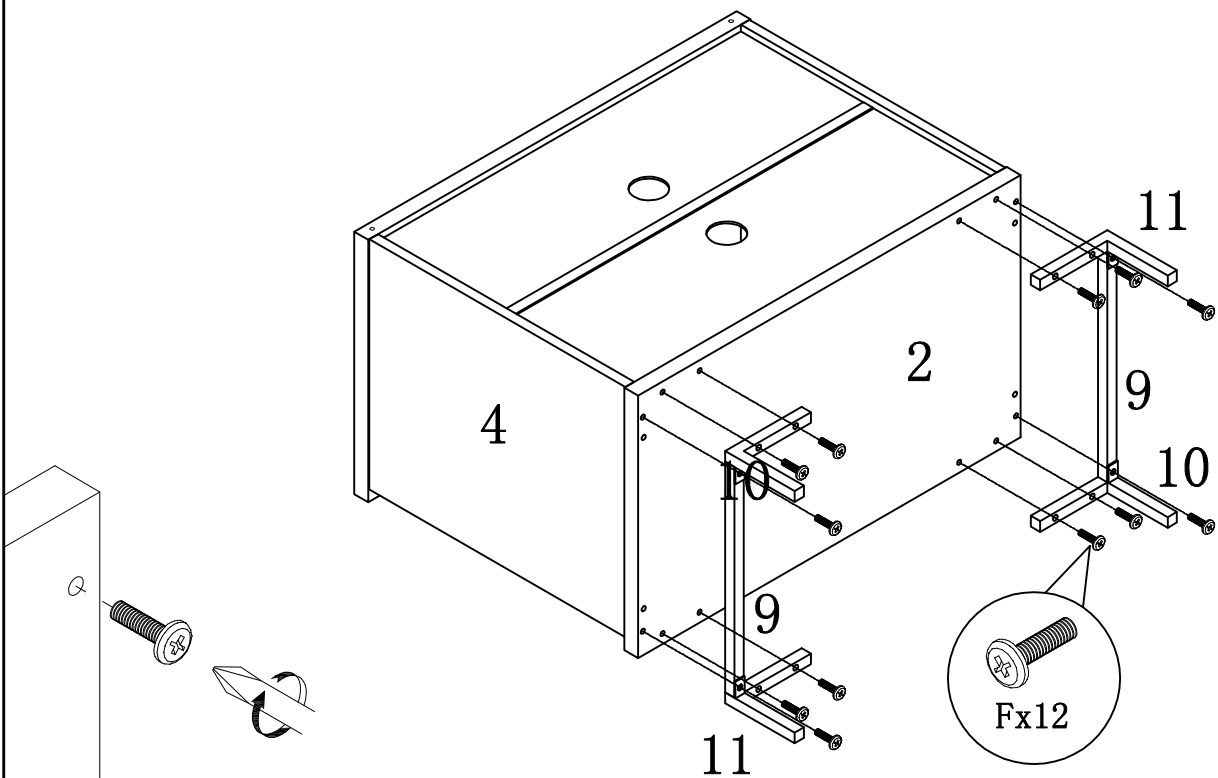
# ITEM NO/NO ARTICLE: SON26TVS/253389


## STEP 5 / ETAPE 5



  
TOOLS REQUIRED (NOT INCLUDED)  
OUTILS REQUIS (NON COMPRIS)

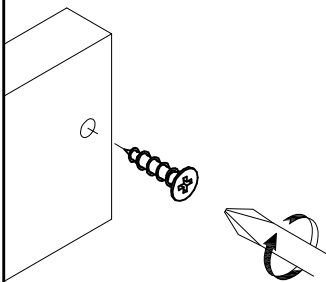
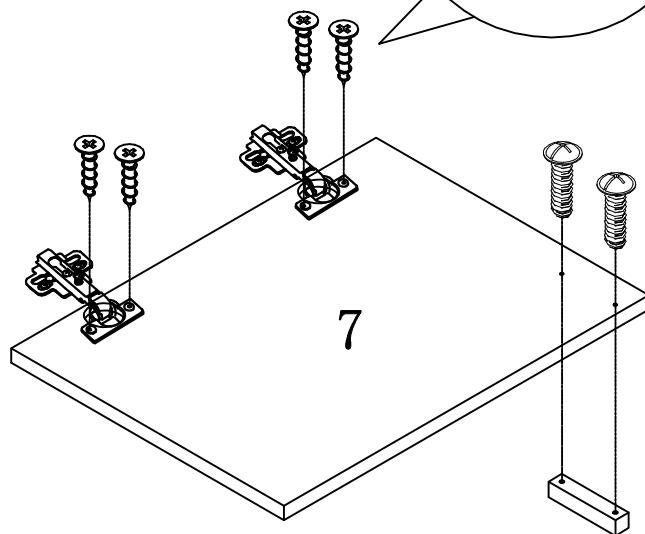
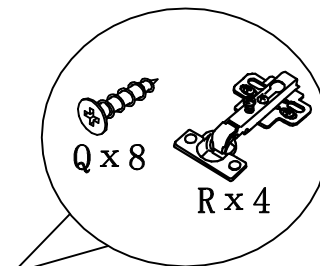
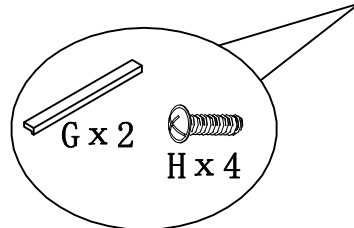
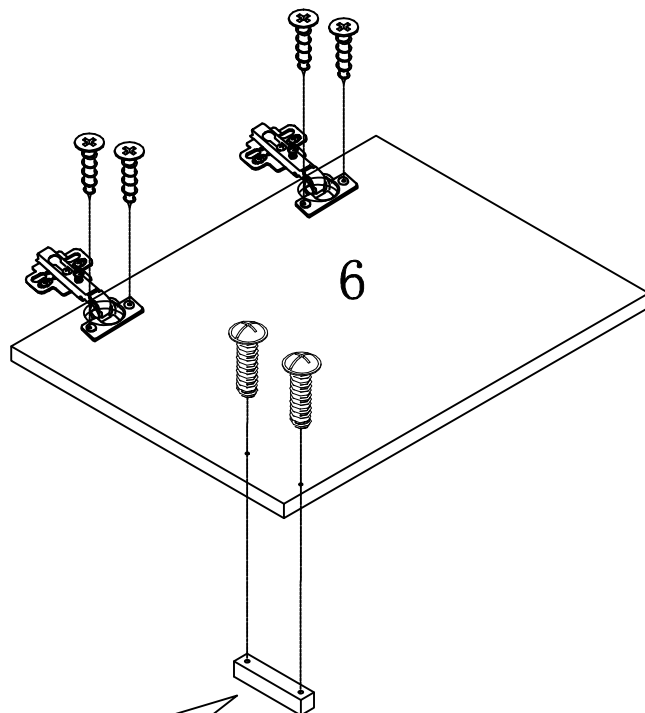
## STEP 6 / ETAPE 6



  
TOOLS REQUIRED (NOT INCLUDED)  
OUTILS REQUIS (NON COMPRIS)

# ITEM NO/NO ARTICLE: SON26TVS/253389

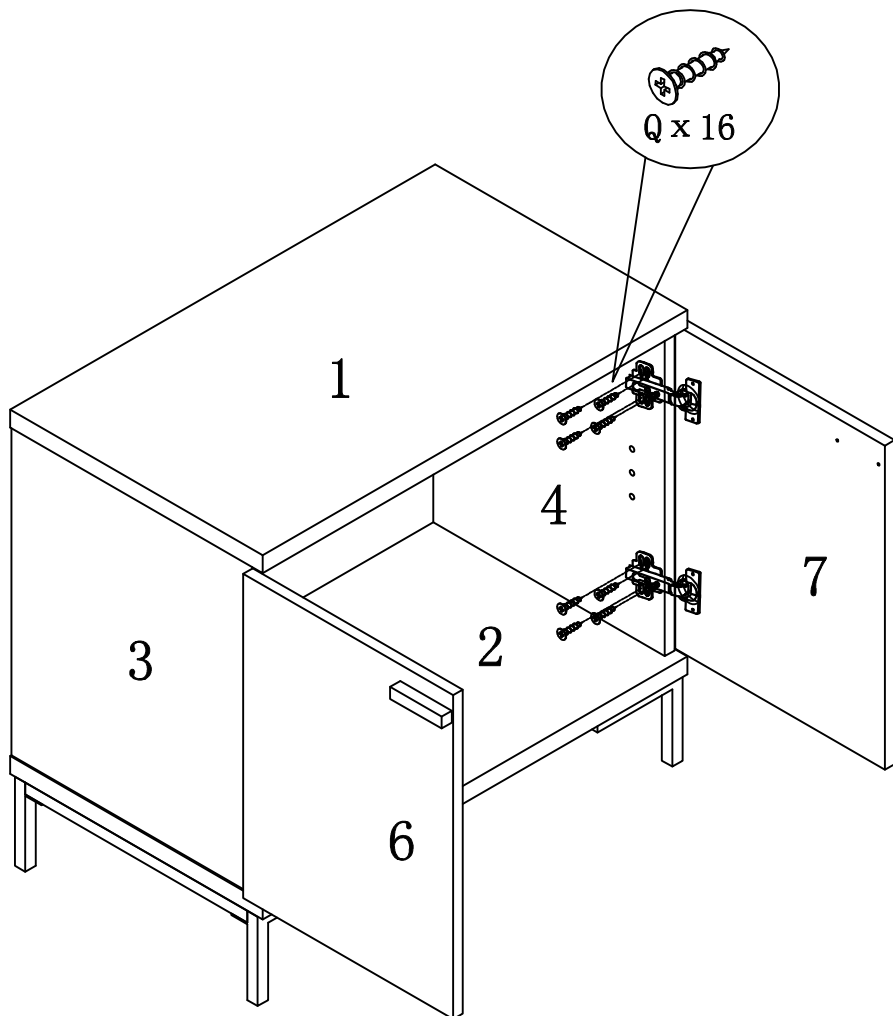
STEP 7 / ETAPE 7



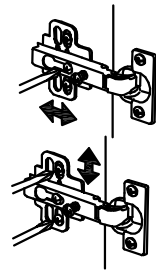
TOOLS REQUIRED (NOT INCLUDED)  
OUTILS REQUIS (NON COMPRIS)

# ITEM NO/NO ARTICLE: SON26TVS/253389

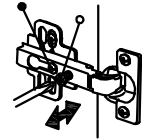
## STEP 8 / ETAPE 8



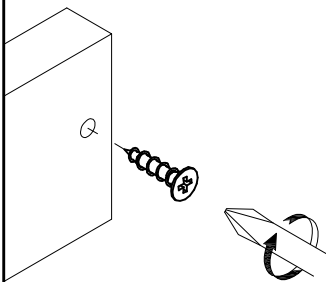
To adjust the door in or out, loosen this screw and push the door further in or push further out then retighten screws.



To adjust the door vertically, loosen the top and bottom screws, push the door up or down as necessary, then retighten screws.



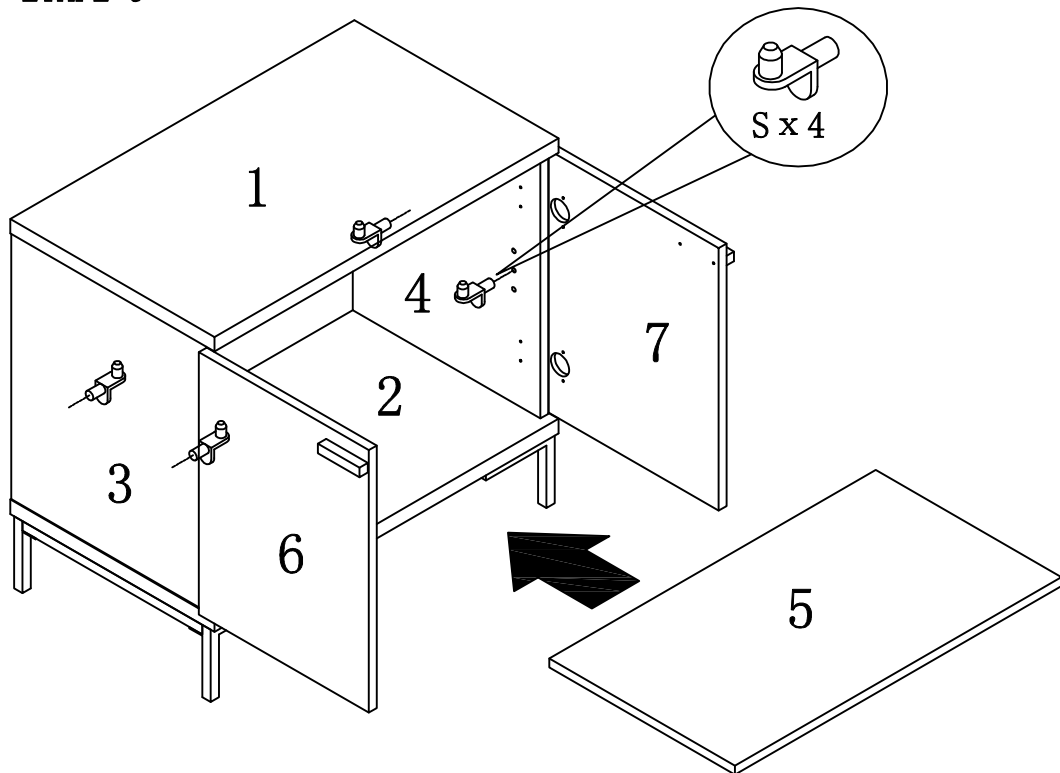
To adjust the door left/right, turn this screw clockwise to move this corner of the door toward the frame, or counterclockwise to move door away from the frame.



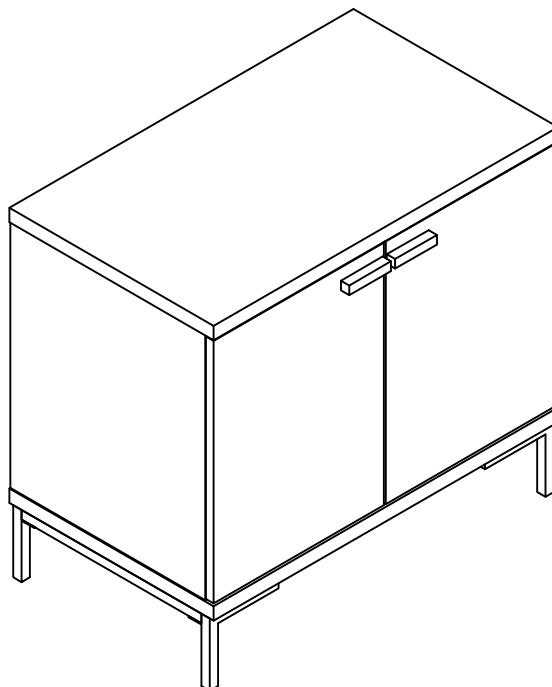
TOOLS REQUIRED (NOT INCLUDED)  
OUTILS REQUIS (NON COMPRIS)

# ITEM NO/NO ARTICLE: SON26TVS/253389

## STEP 9 / ETAPE 9

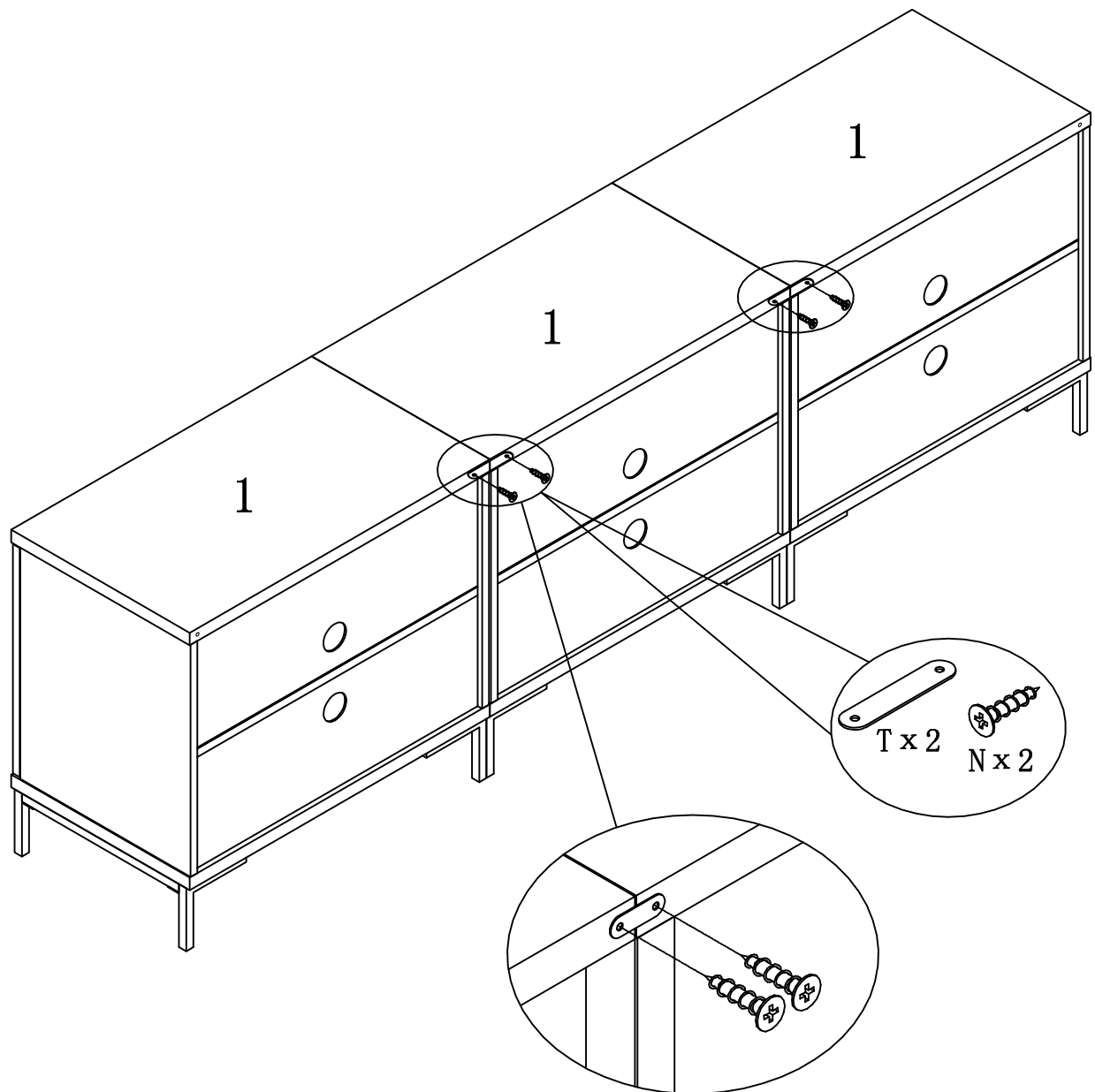


## STEP 10 / ETAPE 10



# ITEM NO/NO ARTICLE: SON26TVS/253389

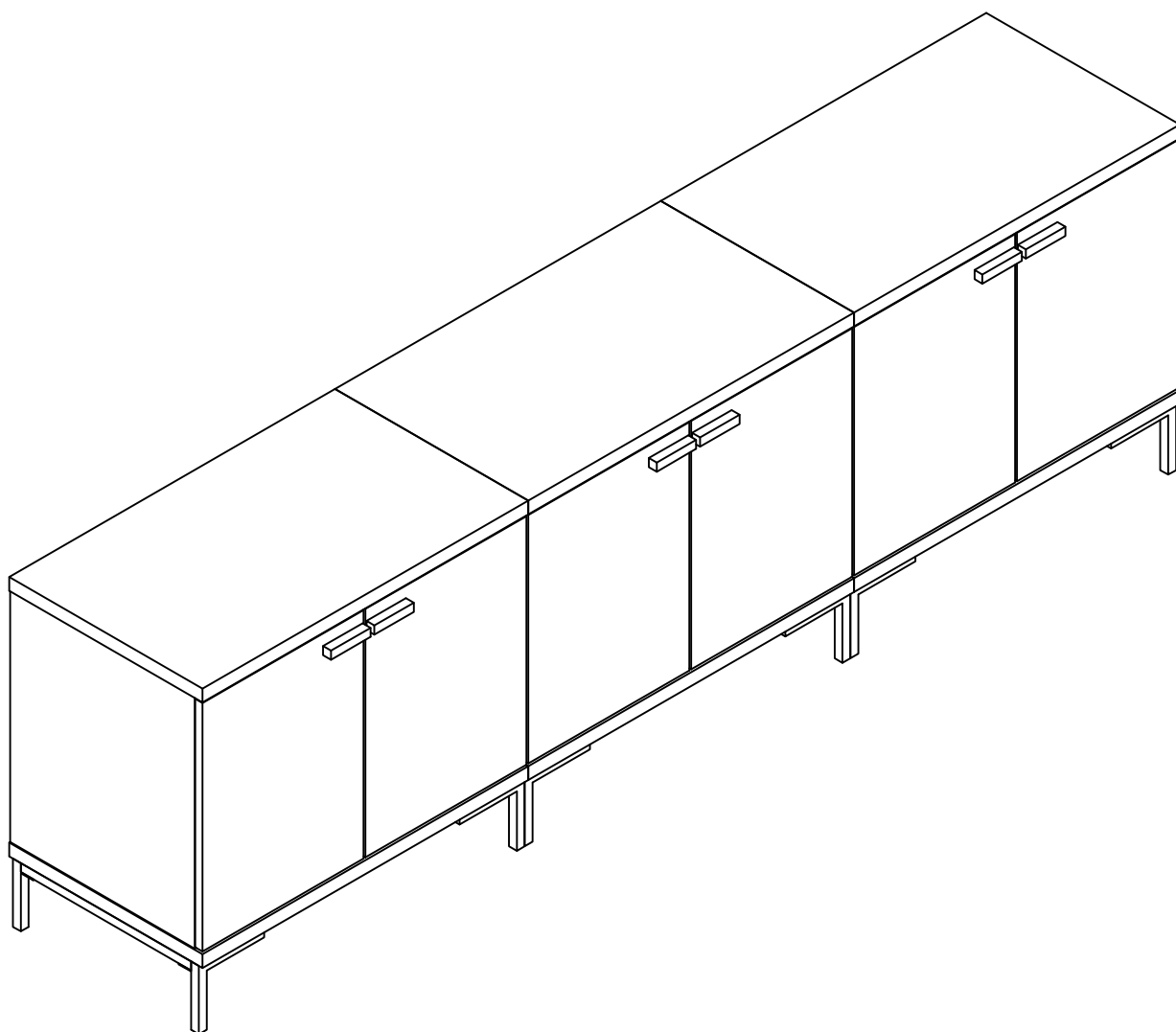
STEP 11 / ETAPE 11



# ITEM NO/NO ARTICLE: SON26TVS/253389

---

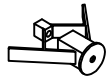
STEP 12 / ETAPE 12



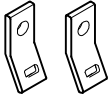
# ANTI-TIPPING STRAP INSTRUCTION

## Instructions pour sangle anti-basculement

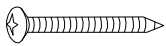
### Quincaillerie (Incluse):



DRYWALL ANCHOR  $\phi 14 \times 36 \times 1$ PC



Fixation en métal  $12 \times 12 \times 1 \times 2$ PCS



Vis  $\phi 5 \times 40 \times 1$ PCS

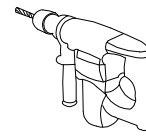


Sangle  $\phi 4.5 \times \phi 1 \times 254 \times 1$ PCS



Vis  $\phi 4 \times 25 \times 1$ PCS

### Outils requis (Non inclus):



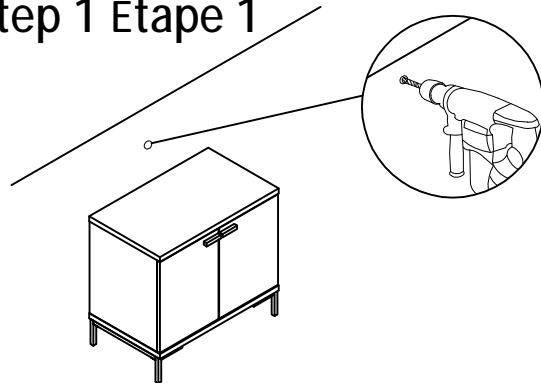
DRILL & DRILL BIT  
Perceuse et trépan



LIGHT HAMMER  
Marteau léger

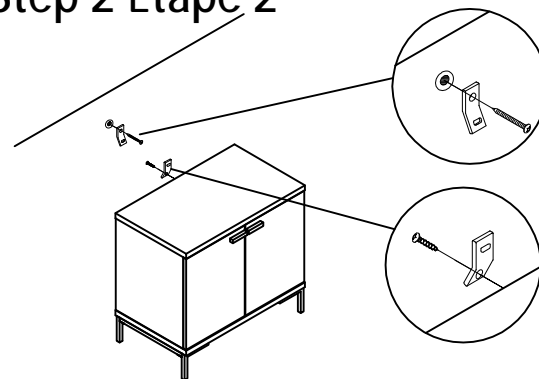
Note: Hardware included only compatible with standard drywalls. :Notez que la quincaillerie incluse est compatible avec les ancrages de mur standard

### Step 1 Étape 1



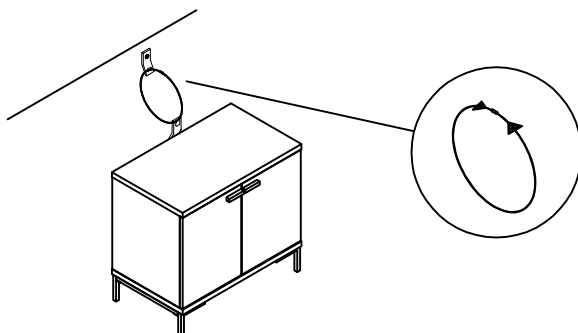
1. Find spot on wall 1" below the top of item.  
**Placer sur le mur à 1 pouce au-dessus de l'article.**
2. Using a drill bit slightly smaller than the gauge of anchor, drill a hole, then place the anchor into wall.  
**À l'aide d'un trépan légèrement plus petit qu'un ancrage en acier de jauge, percer un trou puis placer l'ancrage dans le mur.**

### Step 2 Étape 2



1. Screw the metal bracket into the anchor of wall.  
**Visser la première fixation en métal à l'intérieur de l'ancrage de mur.**
2. Screw the second metal bracket into the back of item along the of soleid frame.  
**Visser la deuxième fixation à l'arrière de l'article.**

### Step 3 Étape 3



1. Insert strap thru the bracket attached to wall and the second attached to the product.  
**Insérer la sangle à l'intérieur de la fixation en métal. Elle s'attache facilement sur l'arrière du meuble, l'autre bout étant fixé au mur.**
2. Pull tightly: Et puis tirer fermement.